



FOUNDATIONS - Ø85/Ø130 ALU DESIGN

Foundations for Ø85/Ø130 ALU design

The wing set is used where the mast is to be buried. The wings are mounted with the supplied fittings into the mounting track on the pole.

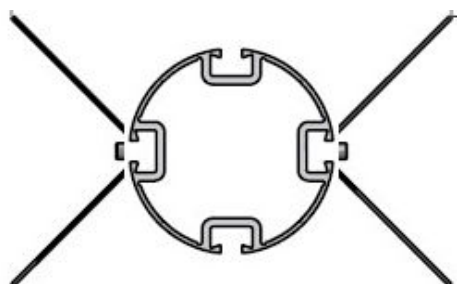
Burying is normally used up to a pole height of 6-7 metres, depending on ground conditions.

The plug-in foundation is easily placed in the excavated hole, and the mast is set down in the pipe. A quick and simple solution where the pole can be easily replaced. The insert foundation is often used for sign poles and lower light poles.

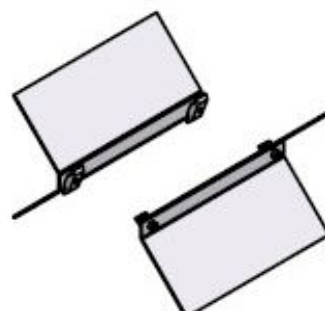
- ▲ Dry-cast concrete foundations with two cable ducts placed 180 degrees apart.
- ▲ Plug foundation is used for both sign and light poles.
- ▲ Wing set of brushed aluminum mounted in the slot on the ALU design pole.
- ▲ Wing sets are used for both sign and light poles.

MILEWIDE FOUNDATIONS

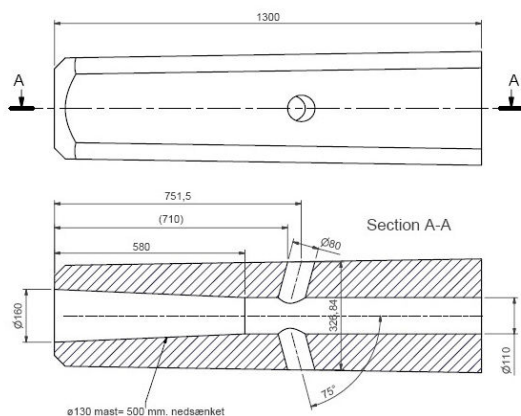
Wing set



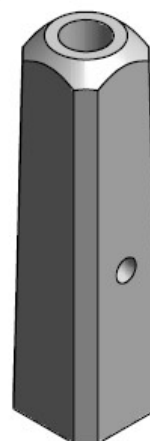
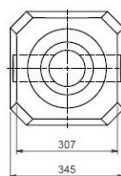
M085-509
M130-509



Concrete plug-in foundation



M085-506
M130-506



Foundations

| Item nr. | Description | Weight |
|----------|--|---------|
| M085-509 | Wing set for Ø85 pole | 0 kg. |
| M130-509 | Wing set for Ø130 pole | 0 kg. |
| M085-506 | Concrete insert foundation for Ø85 pole | 115 kg. |
| M130-506 | Concrete insert foundation for Ø130 pole | 275 kg. |