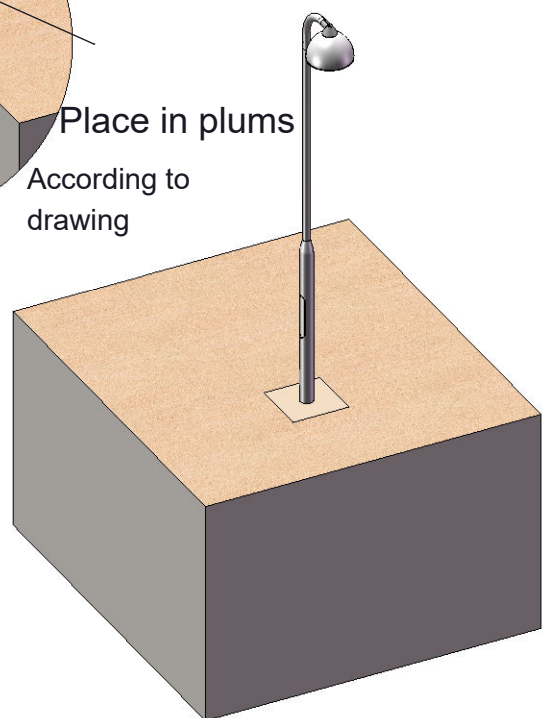
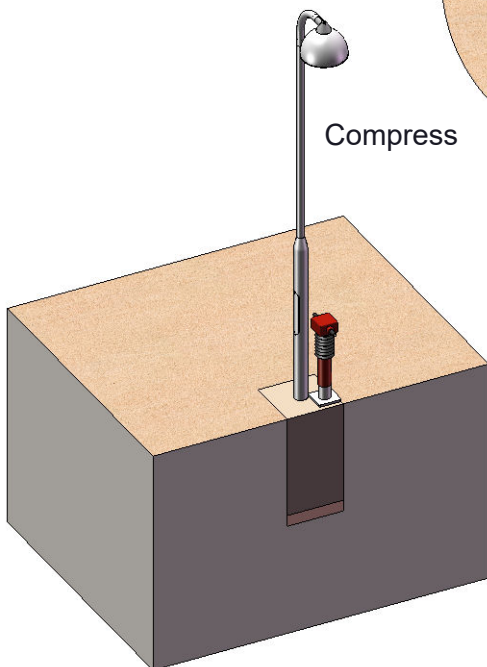
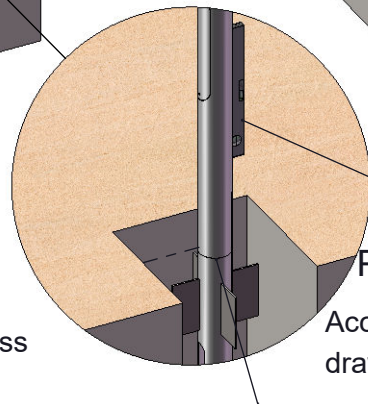
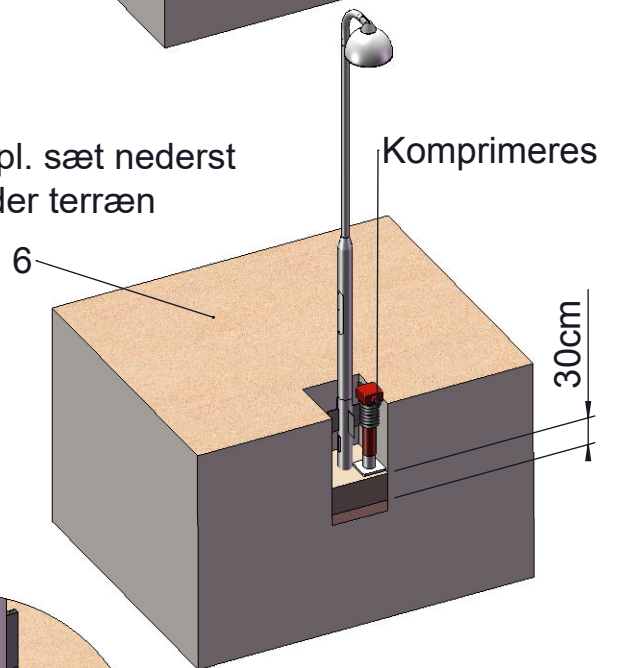
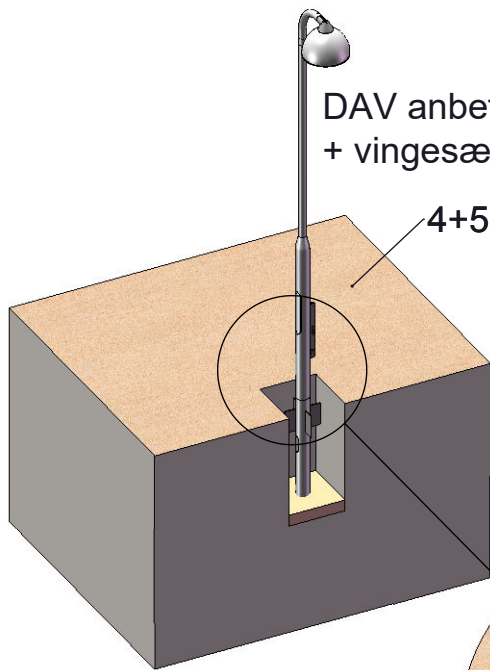
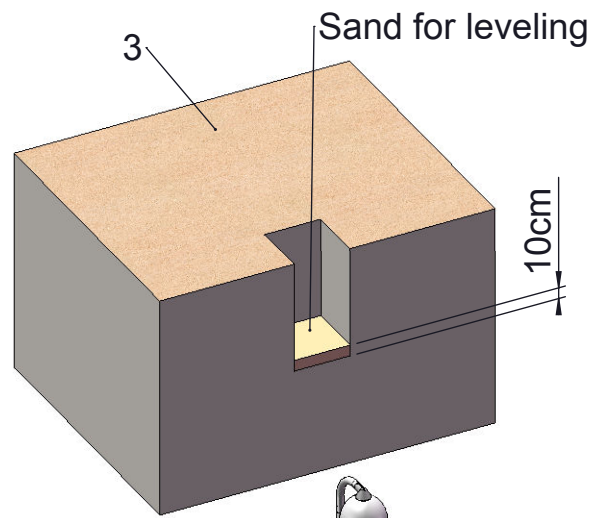
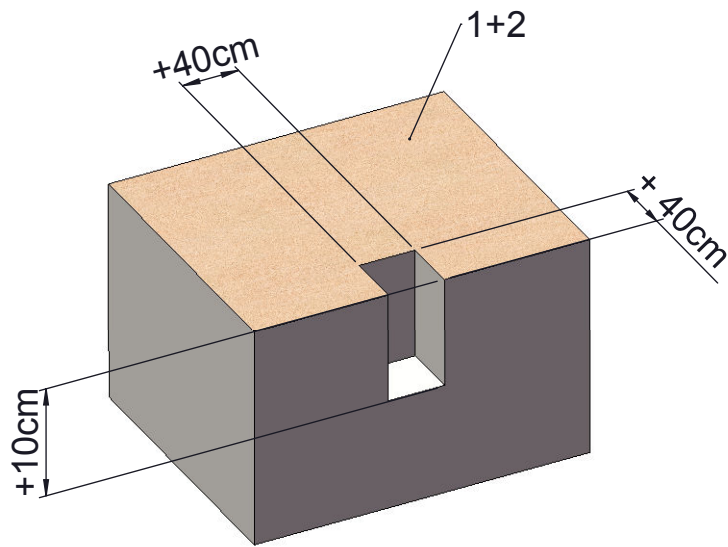


FOUNDATION FOR EMBEDDED POLE



1. First release the area around the selected location for soil, tiles or other things. Mark the desired location for the embedded pole as the center of the hole.

Then excavate the hole for the embedded pole at least 40 cm larger than the cross section of the pole.

(eg. pole $D = 11.4$ cm cause a hole of about 52x52 cm.

The hole should be 10 cm deeper than the height of the embedded section to make room for a well-graded sanding material.

(eg. burying depth = 100 cm cause depth of 110 cm.)

2. Add the finishing alignment layer and even it out.
3. Place the embedded pole in the center of the hole on the alignment layer. The pole is thereafter vertical aligned.

Make sure the burial mark "NGR" flushes the surface level.

Important! In order to provide a correct and stable foundation, the NGR mark on the burial pole must be placed terrain level.

4. If necessary, pull cables through the cable hole for light connection in the pole.
5. Then fill the hole with stabilizing gravel which is compressed per 30 cm.

"Ensured the burying pole is vertically aligned after the compression"

The pole burial is completed after the last compression.