

**DAV**

FOUNDATIONS

Foundation for steel- and alu poles

The steel pipe can be used where the space is tight or where it is desired to hit the foundations. The steel pipe is often used where there are many cables in the ground. The reinforced concrete foundation comes with cast-in smooth cable conduits to each side so that cables can be pulled through easily.

The concrete foundation can be supplied with stainless threaded rods, instead of the normal hot-dip galvanized ones. The foundations meet the Road Directorate's requirements for type 2-4 foundations.

In coastal areas, or areas that otherwise need extra protection, it is recommended to use concrete foundations with stainless threaded rods.

- ▲ CE mark according to EN 14991
- ▲ Calculated according to EN 1997-1
- ▲ Hot-dip galvanized or stainless A4 kl. 70 threaded rods
- ▲ Smooth concrete foundations
- ▲ Steel foundation in hot-dip galvanized steel
- ▲ 2 pcs. embedded Ø50 cable pipes
- ▲ Cast-in lifting anchors

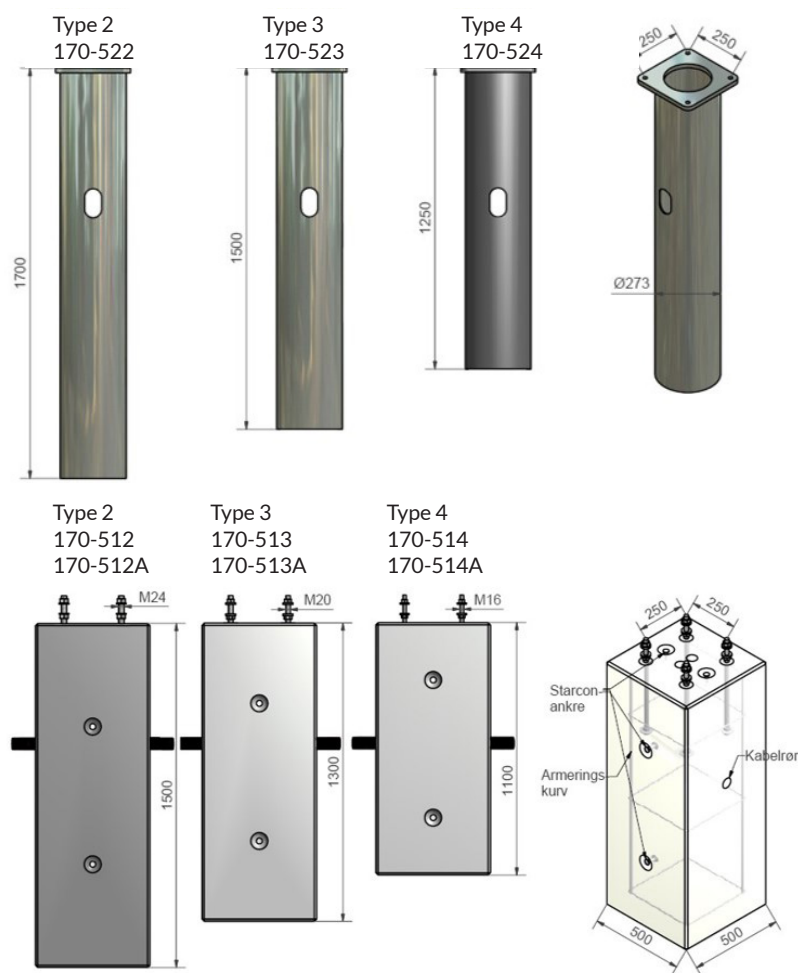
DAV

DAV NORDIC A/S
Tietgensvej 12
DK-8600 Silkeborg

DAV NORDIC A/S
Pilebækvej 5
DK-4632 Bjæverskov

P: +45 8682 2900
info@davnordic.dk
www.davnordic.dk

MILEWIDE FOUNDATIONS



FOUNDATIONS

Item number	Description	Combi pole	Light pole	Weight
170-524	Steel pipe type 4	0-4 m pole	0-5 m pole	50 kg.
170-523	Steel pipe type 3	5-7 m pole	6-9 m pole	59 kg.
170-522	Steel pipe type 2	8-10 m pole	10 m pole	65 kg.
170-514	Concrete foundation type 4	0-4 m pole	0-5 m pole	608 kg.
170-514A*	Concrete foundation type 4	0-4 m pole	0-5 m pole	608 kg.
170-513	Concrete foundation type 3	5-7 m pole	6-9 m pole	720 kg.
170-513A*	Concrete foundation type 3	5-7 m pole	6-9 m pole	720 kg.
170-512	Concrete foundation type 2	8-10 m pole	10 m pole	840 kg.
170-512A*	Concrete foundation type 2	8-10 m pole	10 m pole	840 kg.

*Rustfri gevindstænger