

# MILEWIDE®

Prize winning design of road equipment



**DAV NORDIC AB**  
Mogölsvägen 11  
554 75 Jönköping

**DAV NORDIC AB**  
Kiselgatan 17B  
602 23 Norrköping

M: +46 70 220 1369  
info@davnordic.se  
www.davnordic.se

# Index

<b><u>INDEX</u></b>	<b>1</b>
<b><u>BARRIER MOUNTED LIGHT POLE - S171-XXX-11-200</u></b>	<b>2</b>
<b><u>LIGHT POLE - S171-XXX-12-250</u></b>	<b>3</b>
<b><u>BRIDGESIDE MOUNTED LIGHT POLE - S171-XXX-12-250-V</u></b>	<b>4</b>
<b><u>PASSIVE SAFETY LIGHT POLE - S171-XXX-13-R</u></b>	<b>5</b>
<b><u>LIGHT POLE - S171-XXX-12-290</u></b>	<b>6</b>
<b><u>BRACKETS STANDARD</u></b>	<b>7</b>
<b><u>BRACKET ø60x100mm; L:1,5M - M170-385-150</u></b>	<b>8</b>
<b><u>BRACKET ø60x150mm; L:1,5M - M170-385-150-15</u></b>	<b>9</b>
<b><u>BRACKET ø60x150mm; L:1,5M - M170-385-200</u></b>	<b>10</b>
<b><u>BRIDGE MOUNTED BASE - M170-519-250</u></b>	<b>11</b>
<b><u>LYSPULLERT</u></b>	<b>12</b>
<b><u>HATCH DETAILS</u></b>	<b>13</b>
<b><u>CONCRETE/STEEL BASES</u></b>	<b>14</b>
<b><u>ASSEMBLY INSTRUCTION LIGHT POLE</u></b>	<b>15</b>
<b><u>BRACKET MOUNTING</u></b>	<b>16</b>

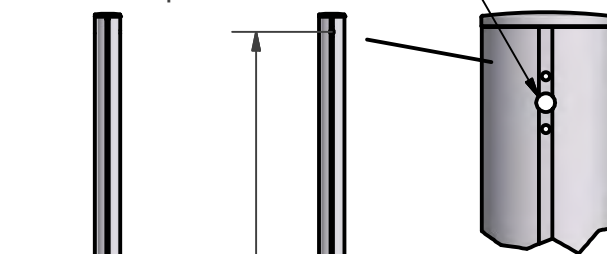
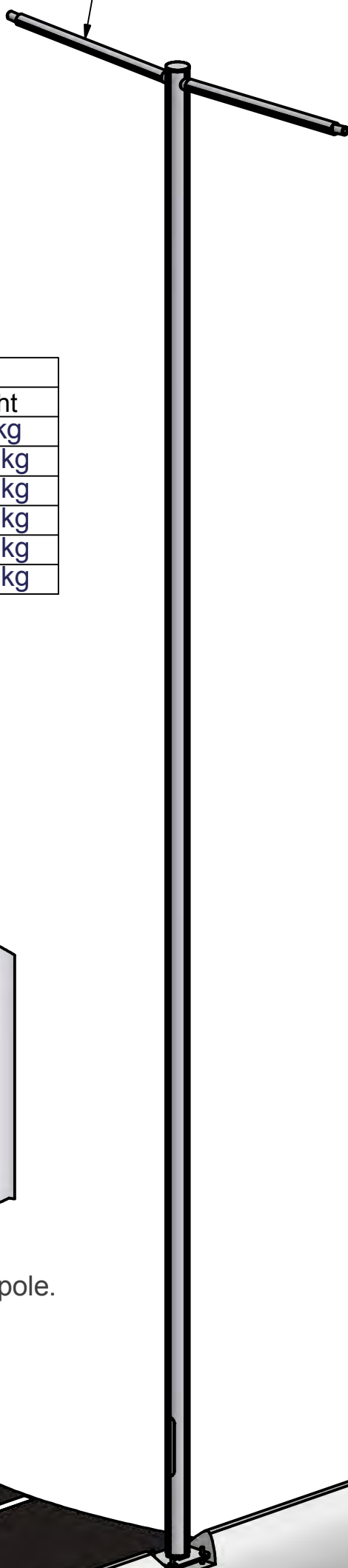
## Barrier mounted ø170 Milewide lightpole

— Armaturarms is not included parts of the pole

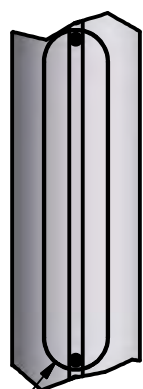
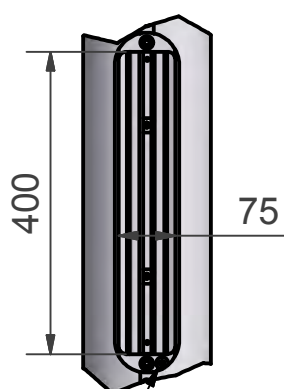
Mounting holes on both sides  
Prepared for all Milewide  
armatur suspensions.

Note: The armaturarms is not included parts of the pole

Barrier mounted lightpole			
Item no.	LPH	Pole diam	Weight
S171-063-11-200	6,3m	170 mm	90 kg
S171-073-11-200	7,3m	170 mm	100 kg
S171-083-11-200	8,3m	170 mm	110 kg
S171-093-11-200	9,3m	170 mm	120 kg
S171-103-11-200	10,3m	170 mm	130 kg
S171-112-11-200	11,2m	170 mm	140 kg

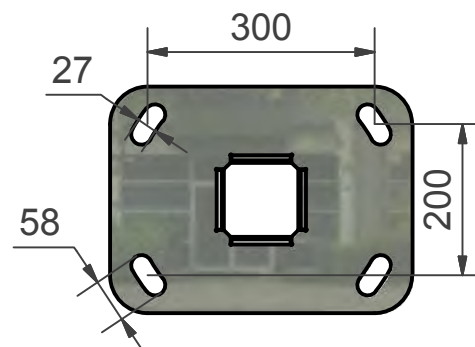
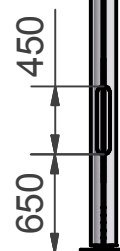


LPH: Light Point Height



Ground terminal

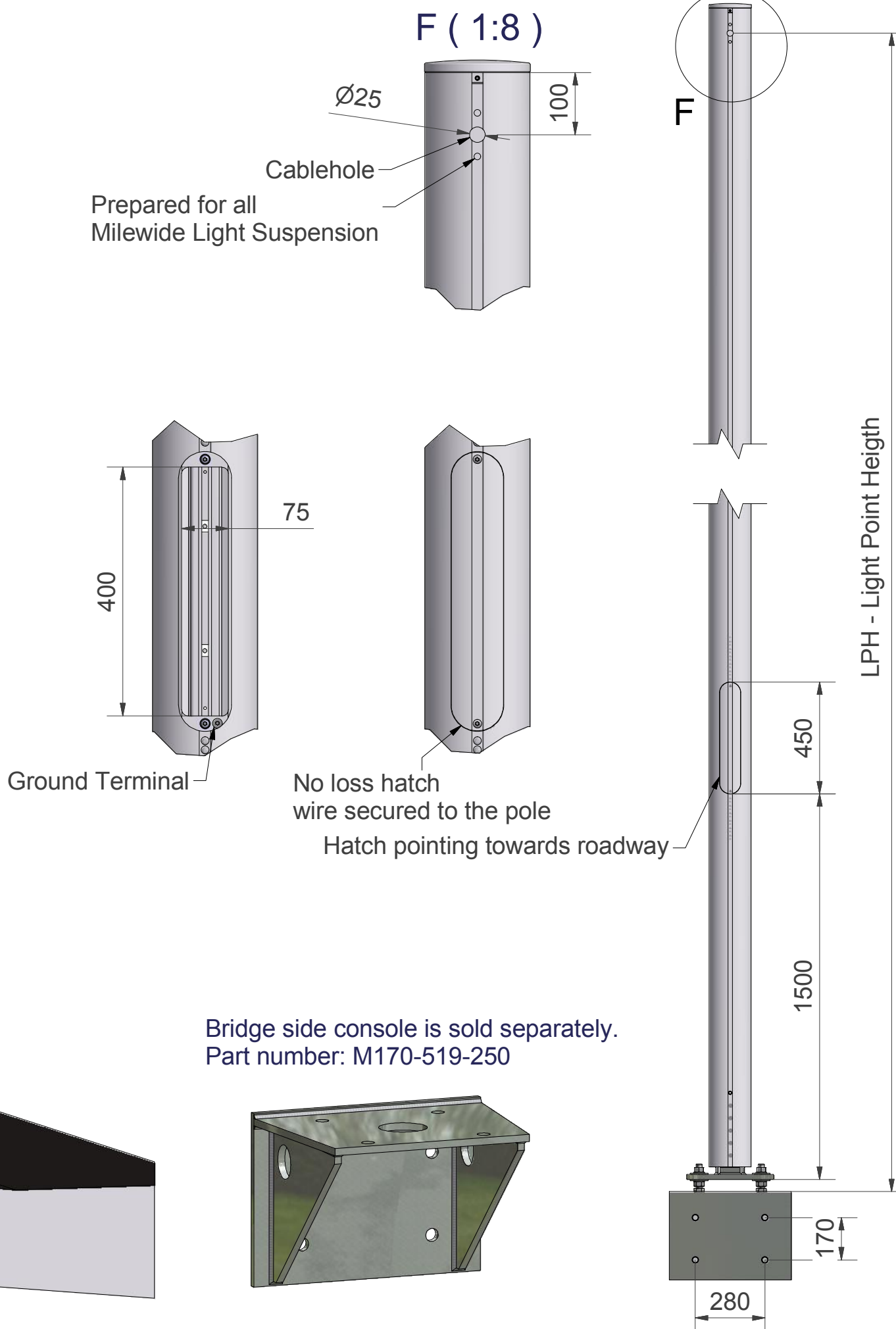
No loss hatch  
wire secured to pole.



## Bridgeside-mounted Lightcolumn ø170

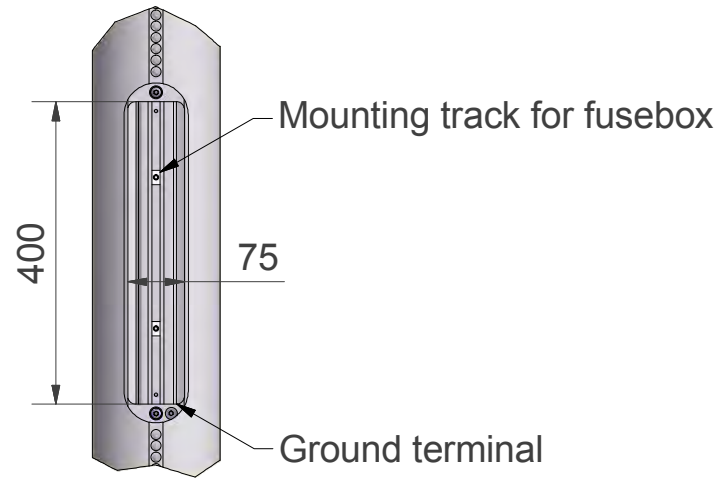
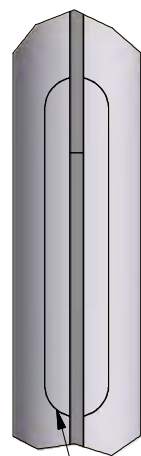
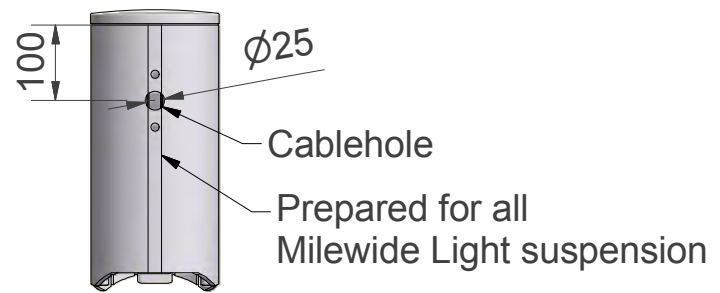
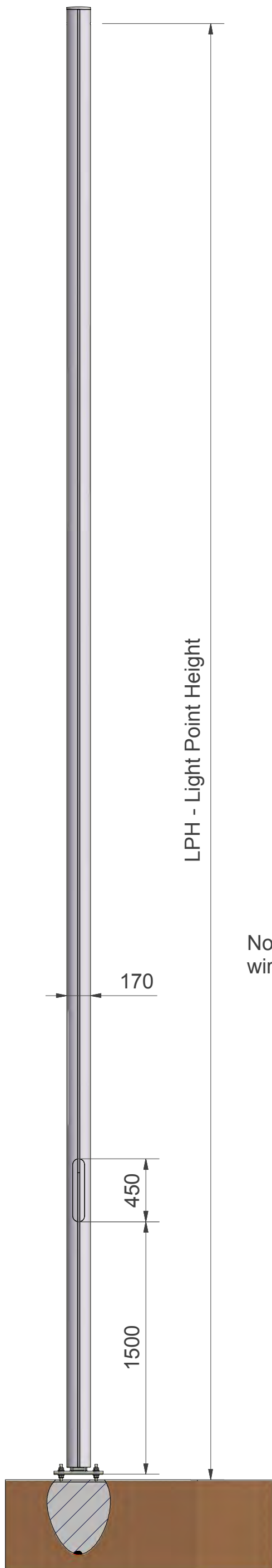
Armaturarm not included part of the column.

Bridgeside-mounted lightcolumn			
Item no.	LPH	Pole diameter	Weight
S171-060-12-250-V	6 m	170 mm	90 kg
S171-070-12-250-V	7 m	170 mm	100 kg
S171-080-12-250-V	8 m	170 mm	110 kg
S171-090-12-250-V	9 m	170 mm	120 kg
S171-100-12-250-V	10 m	170 mm	130 kg
S171-120-12-250-V	12 m	170 mm	140 kg

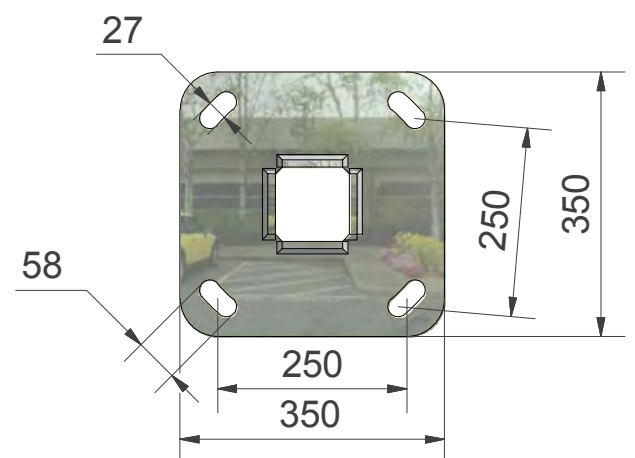
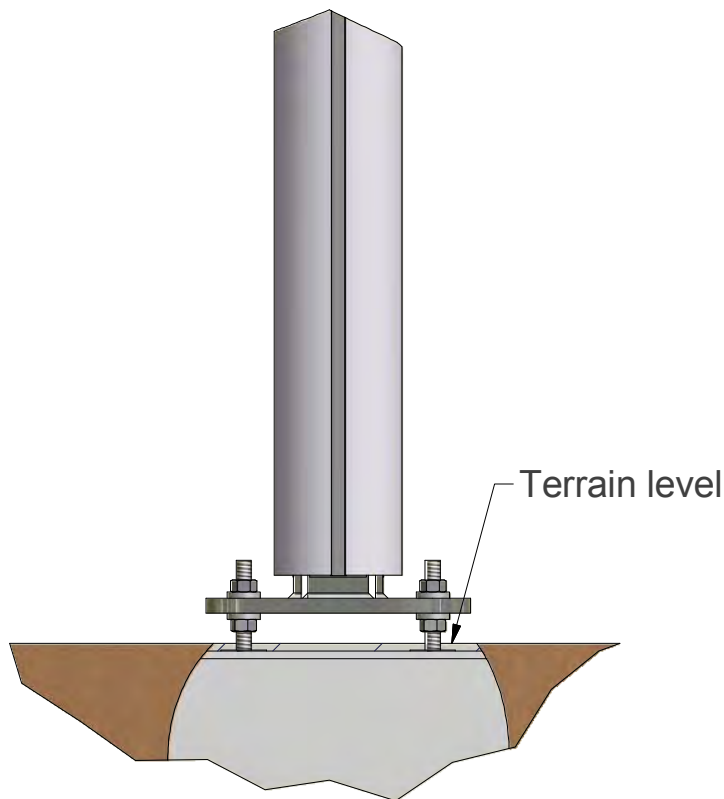


Milewide Lightcolumn ø170

Milewide lightcolumn			
Item no.	LPH	Pole diameter	Weight
S171-050-12-250	5 m	170 mm	85 kg
S171-060-12-250	6 m	170 mm	95 kg
S171-070-12-250	7 m	170 mm	105 kg
S171-080-12-250	8 m	170 mm	115 kg
S171-090-12-250	9 m	170 mm	125 kg
S171-100-12-250	10 m	170 mm	135 kg
S171-120-12-250	12 m	170 mm	160 kg

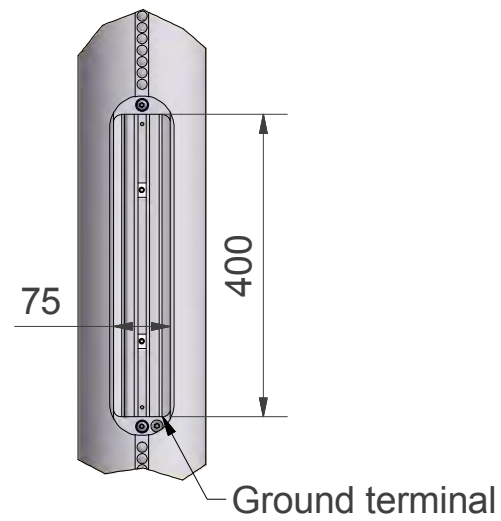
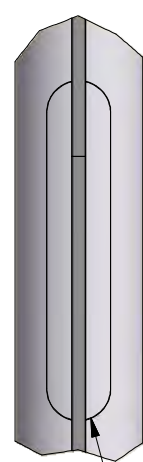
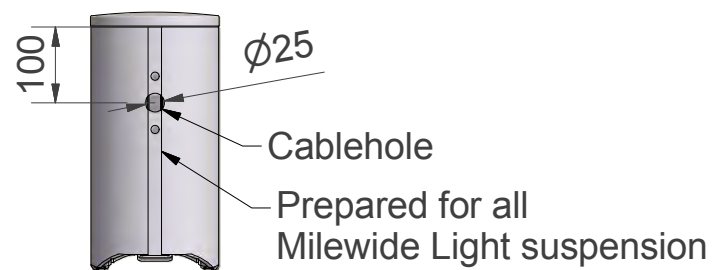
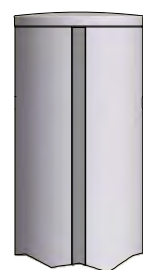
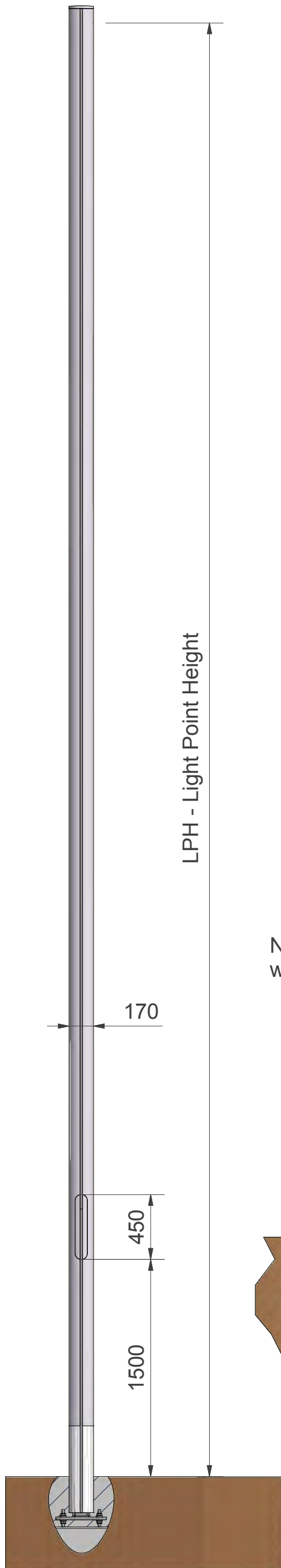


No loss hatch wire secured to the pole

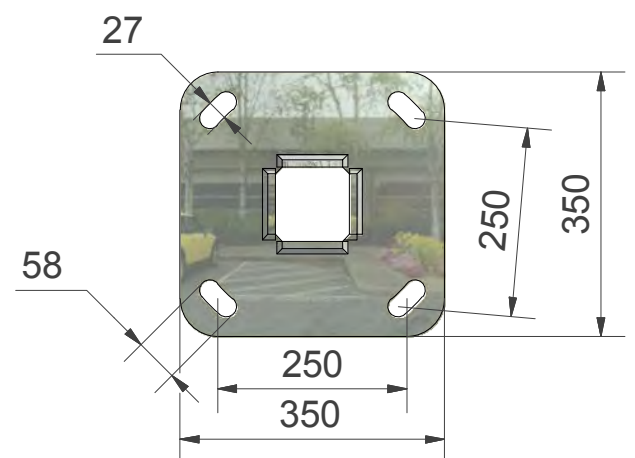
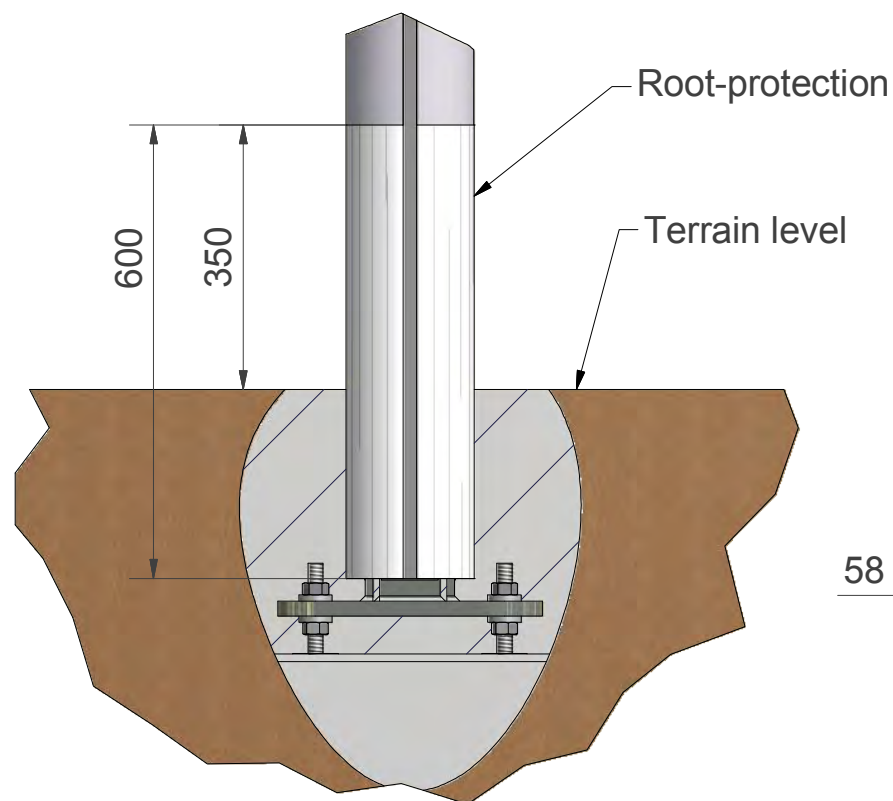


Passive Safety Lightcolumn ø170

Passive safety lightcolumn			
Item no.	LPH	Pole diam	Weight
S171-050-13-250-R	5 m	170 mm	90 kg
S171-060-13-250-R	6 m	170 mm	100 kg
S171-070-13-250-R	7 m	170 mm	110 kg
S171-080-13-250-R	8 m	170 mm	120 kg
S171-090-13-250-R	9 m	170 mm	130 kg
S171-100-13-250-R	10 m	170 mm	140 kg
S171-120-13-250-R	12 m	170 mm	160 kg



No loss hatch wire secured to the pole.

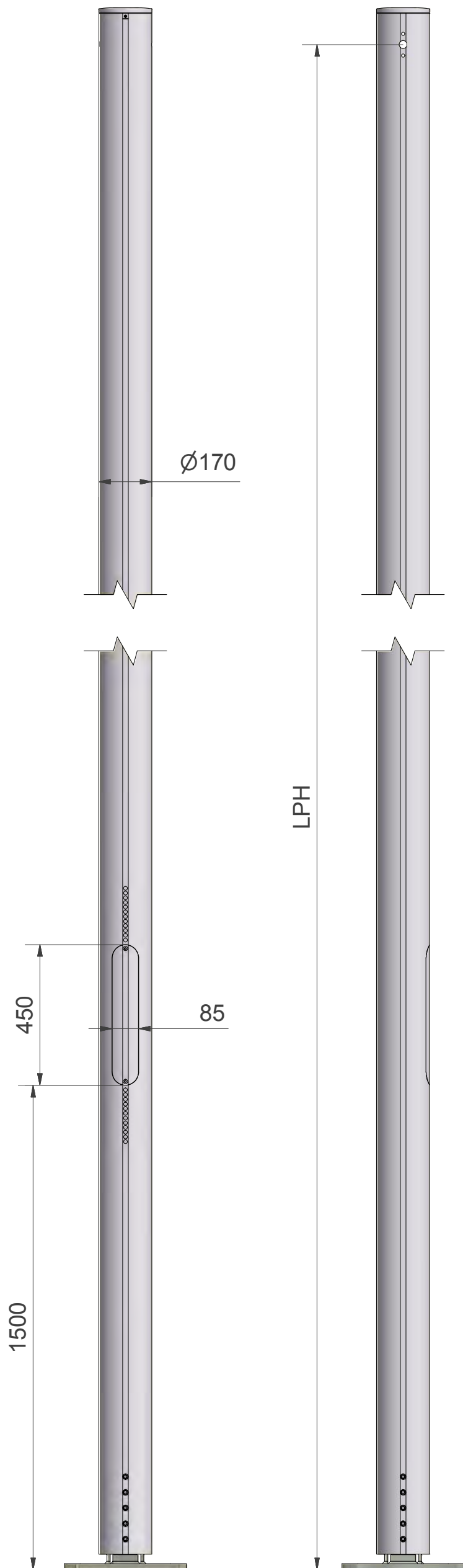


## Milewide lightingpole ø170mm

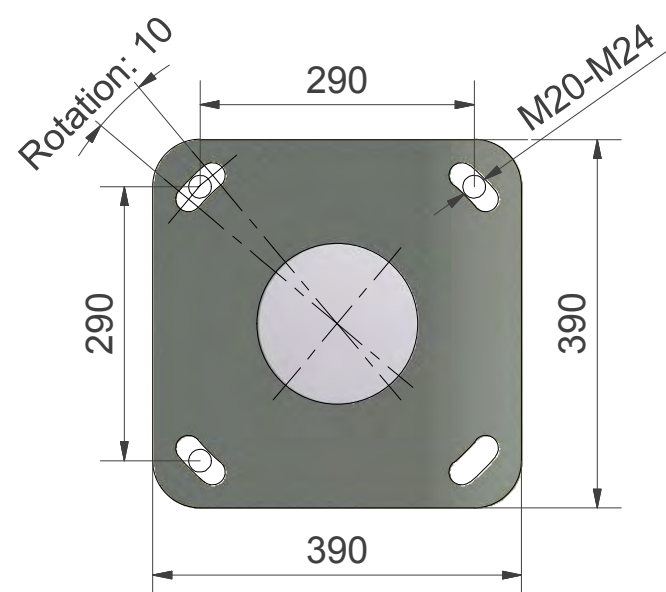
### Description

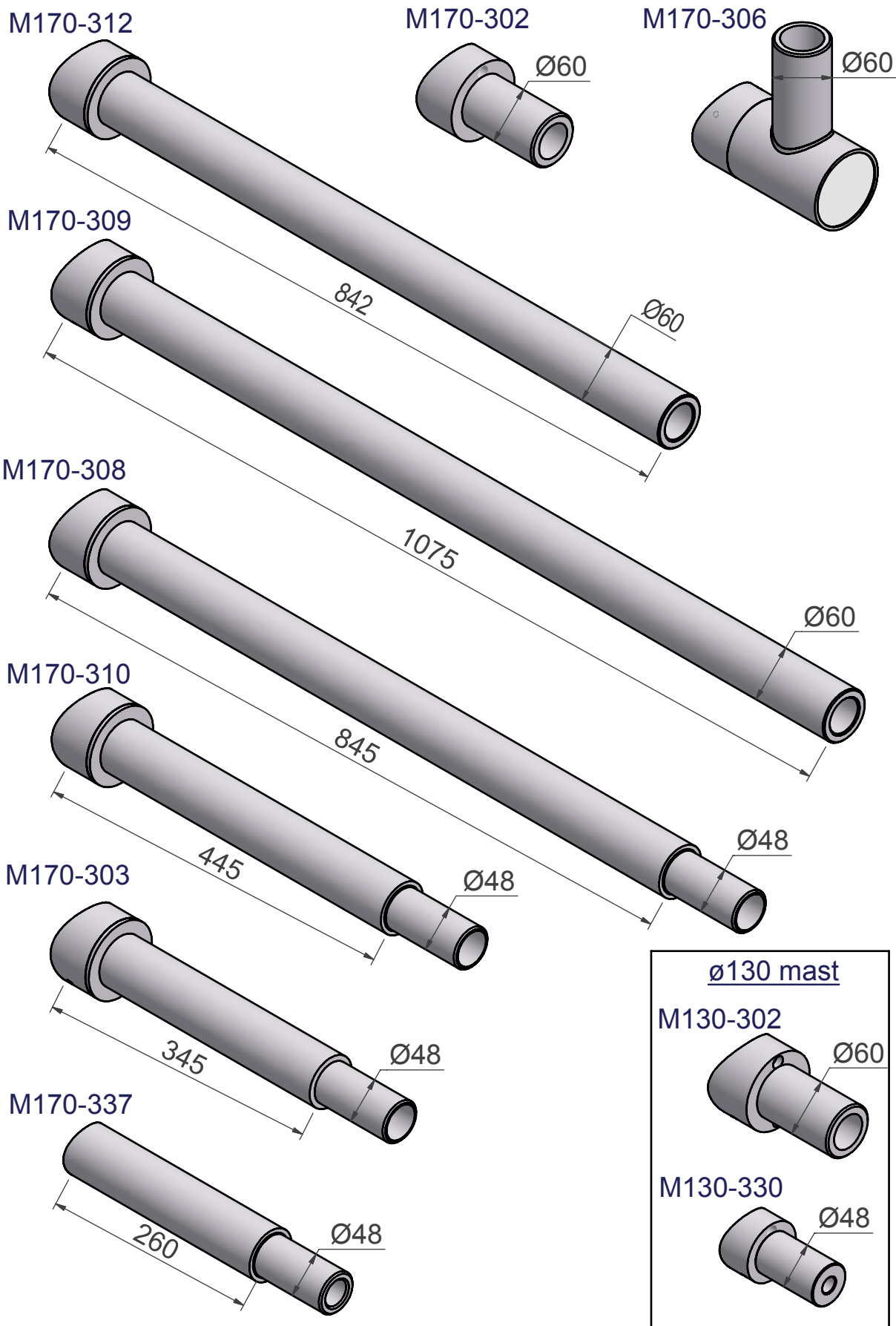
CE-approved Lighting pole.  
Anodized aluminiumprofile in cylindrical shape with 4x tracks for bracket mounting.  
Bolted connections hidden behind Cover Strips  
Predrilled holes for cable entry.  
Flush mounted hatch.  
No loss hatch attached to the pole during maintenance.  
C-track inside for installation of fusebox or other types of electrical equipment.

Galvanized steel baseplate, electrical isolated from the aluminium pole.

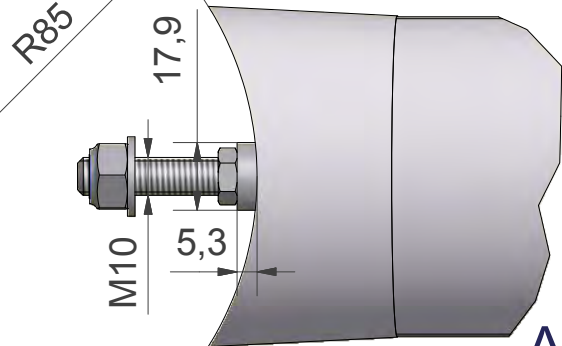
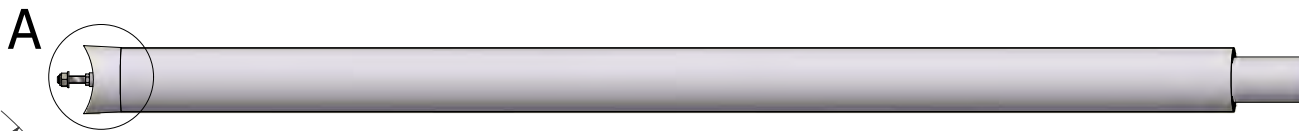
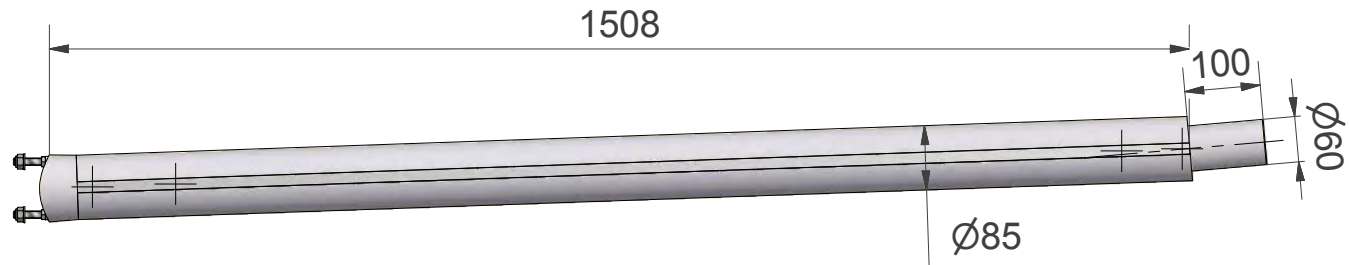


Part. no.	LPH mm
S171-070-12-290	7000
S171-080-12-290	8000
S171-090-12-290	9000
S171-100-12-290	10000
S171-112-12-290	11200

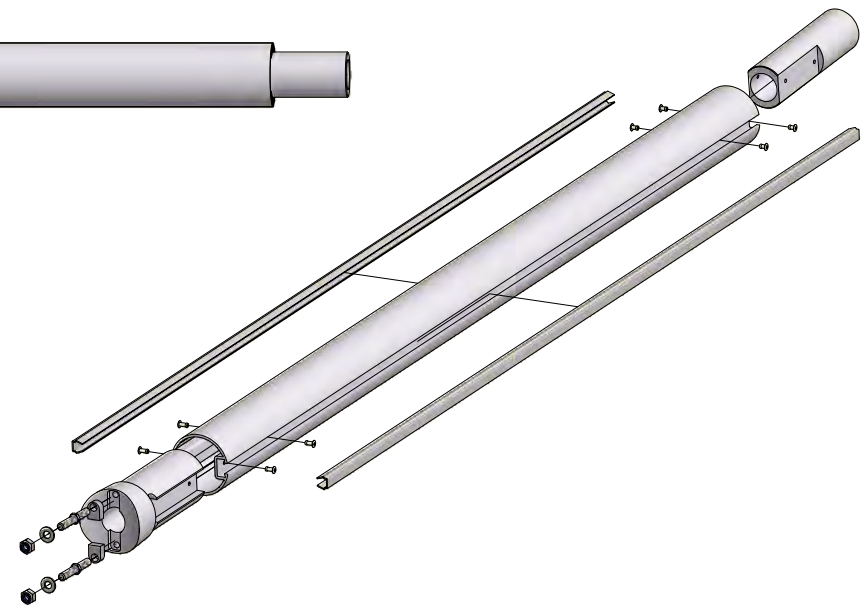








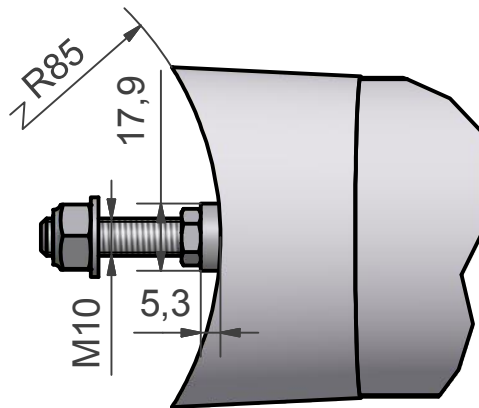
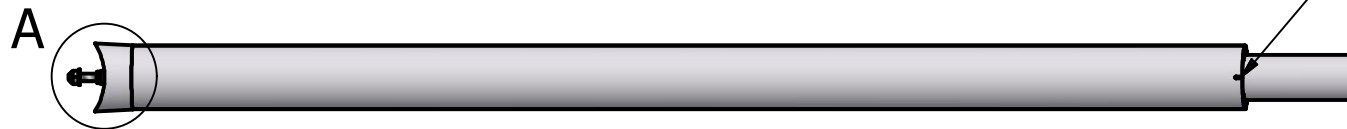
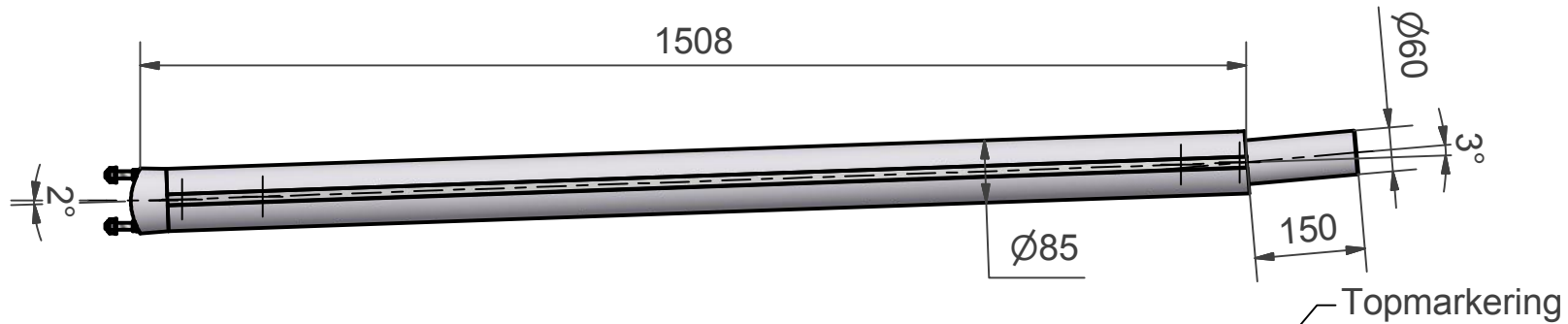
A (1:2)



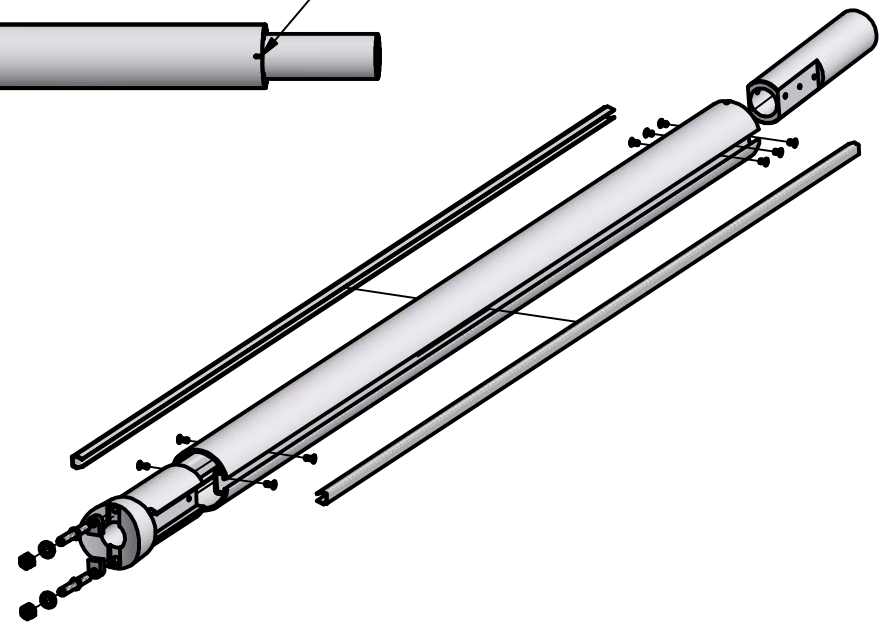
<b>MILEWIDE®</b>		Material Dim. & Type:	Surface Finish:
Date:	22-08-2011	Name:	mwls
Approved:		Drawing Title:	
<b>Basic Tolerances:</b> [0 - 6] ± 0,1 [6 - 30] ± 0,2 [30 - 120] ± 0,3 [120 - 400] ± 0,5 [400 - 1000] ± 0,8 [1000 - 2000] ± 1,2 [2000 - 4000] ± 2,0 [4000 - 8000] ± 3,0 [8000 - 16000] ± 4,0		Weight:	Drawing Number:  <h1>170-385-150</h1>
Scale:	Sheet Size:	Rev.:	
		A4	Drawing Path: N:\acad\MILEWIDE\Assembly\170-385-150.idw

ø85 udliggerarm 1,5m

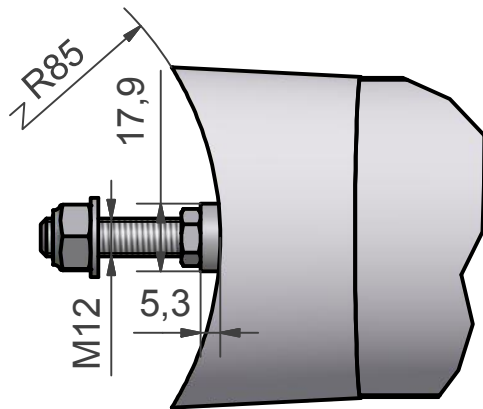
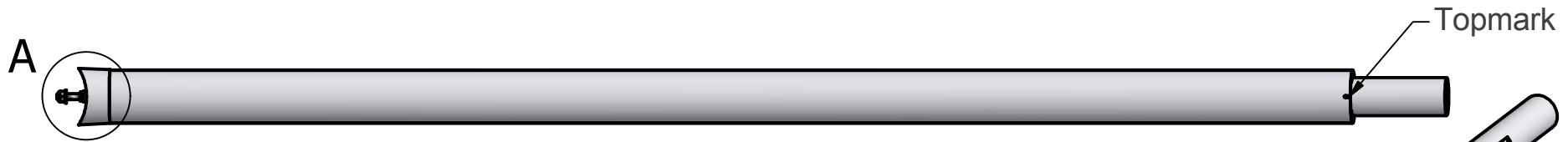
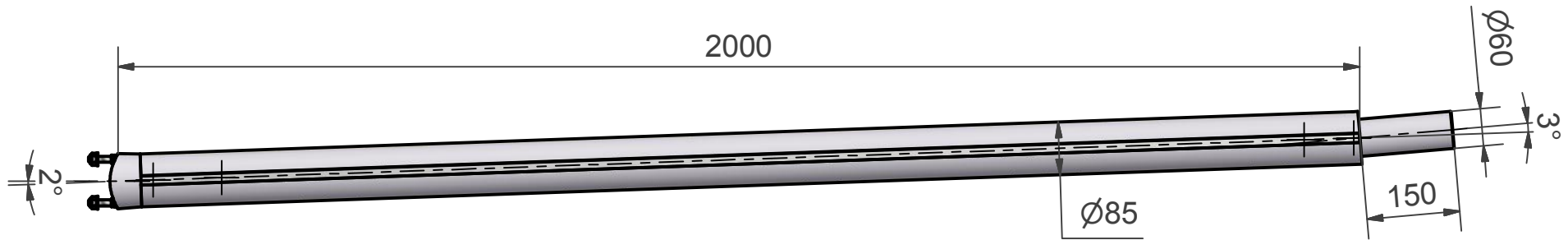
170-385-150



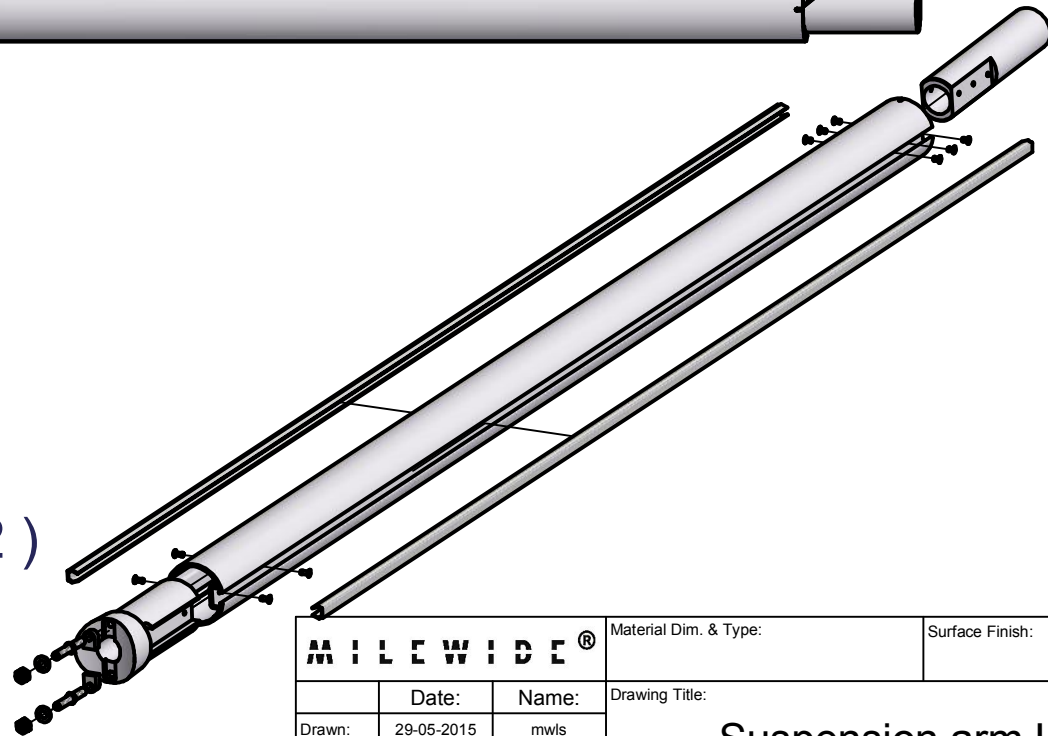
A (1:2)



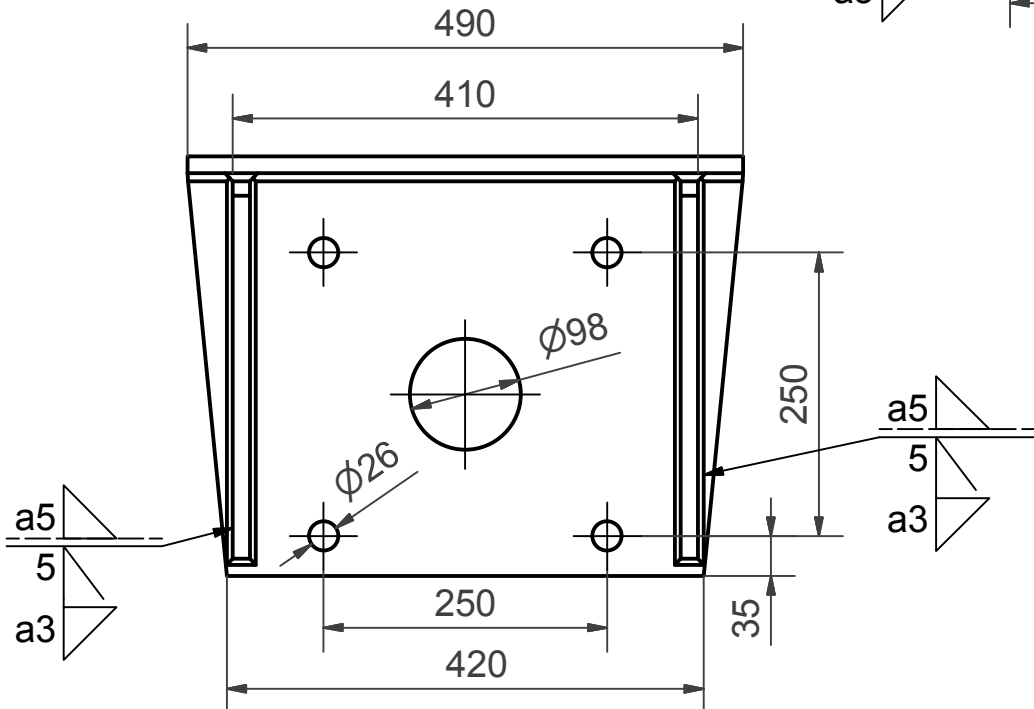
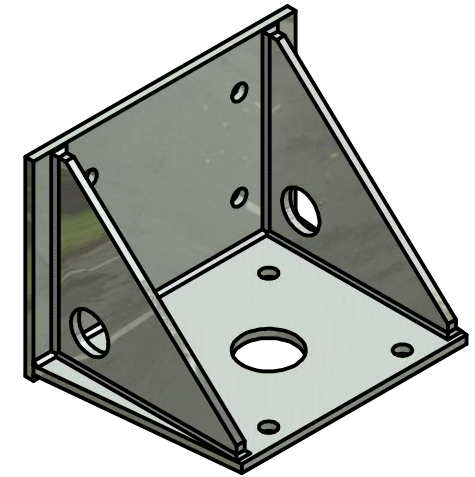
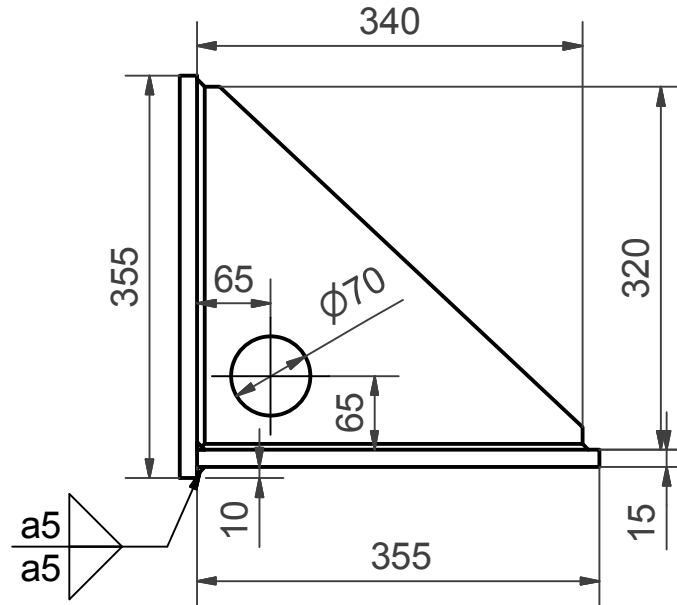
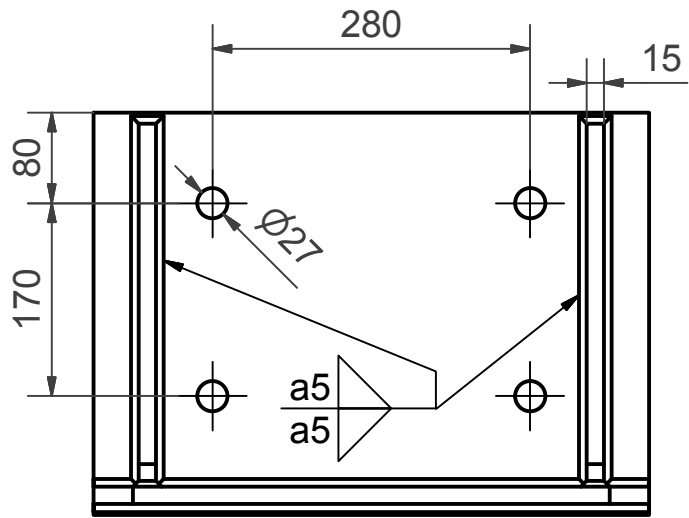
<b>MILEWIDE®</b>		Material Dim. & Type:	Surface Finish:
Date:	Name:	Drawing Title:	
Drawn: 24-02-2014	mwls	<b>Ø85 udliggerarm 1,5m</b> <b>Ø60x150 mm studs</b>	
Approved:		Weight:	7,35 kg
Basic Tolerances:		Scale:	Drawing Number:
[0 - 6]	± 0,1	Sheet Size:	170-385-150-15
[6 - 30]	± 0,2		
[30 - 120]	± 0,3	A4	0
[120 - 400]	± 0,5		
[400 - 1000]	± 0,8	Drawing Path: N:\acad\MILEWIDE\Assembly\170-385-150-15.idw	
[1000 - 2000]	± 1,2		
[2000 - 4000]	± 2,0		
[4000 - 8000]	± 3,0		
[8000 - 16000]	± 4,0		



A (1:2)



<b>MILEWIDE®</b>		Material Dim. & Type:	Surface Finish:
Drawn:	Date: 29-05-2015	Name: mwls	Drawing Title: <b>Suspension arm L:2m Ø60x150 mm bracket</b>
Approved:			
Basic Tolerances:		Weight: 9,0 kg	Drawing Number: <b>170-385-200</b>
[0 - 6]	± 0,1	Scale:	
[6 - 30]	± 0,2	Sheet Size: A4	Rev.: 0
[30 - 120]	± 0,3	Drawing Path: N:\ACAD\MILEWIDE\Assembly\170-385-200.idw	
[120 - 400]	± 0,5		
[400 - 1000]	± 0,8		
[1000 - 2000]	± 1,2		
[2000 - 4000]	± 2,0		
[4000 - 8000]	± 3,0		
[8000 - 16000]	± 4,0		



**NOTE**

Krav jf. DS/EN 1090-1

Materiale: S355J2

Udførelsesklasse: EXC2

Svejsning: DS/EN 5817-B

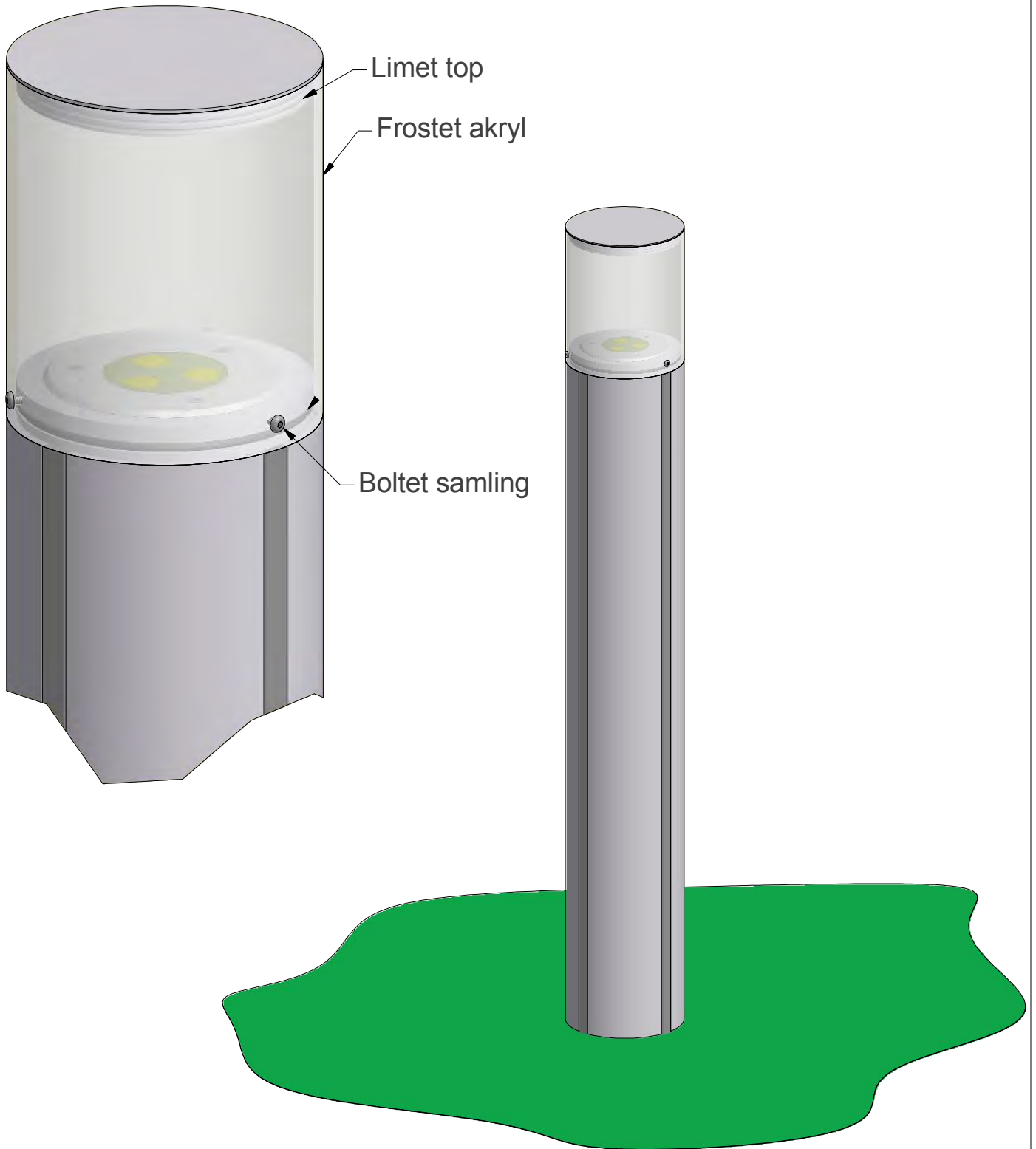
Korrosionsklasse: C3



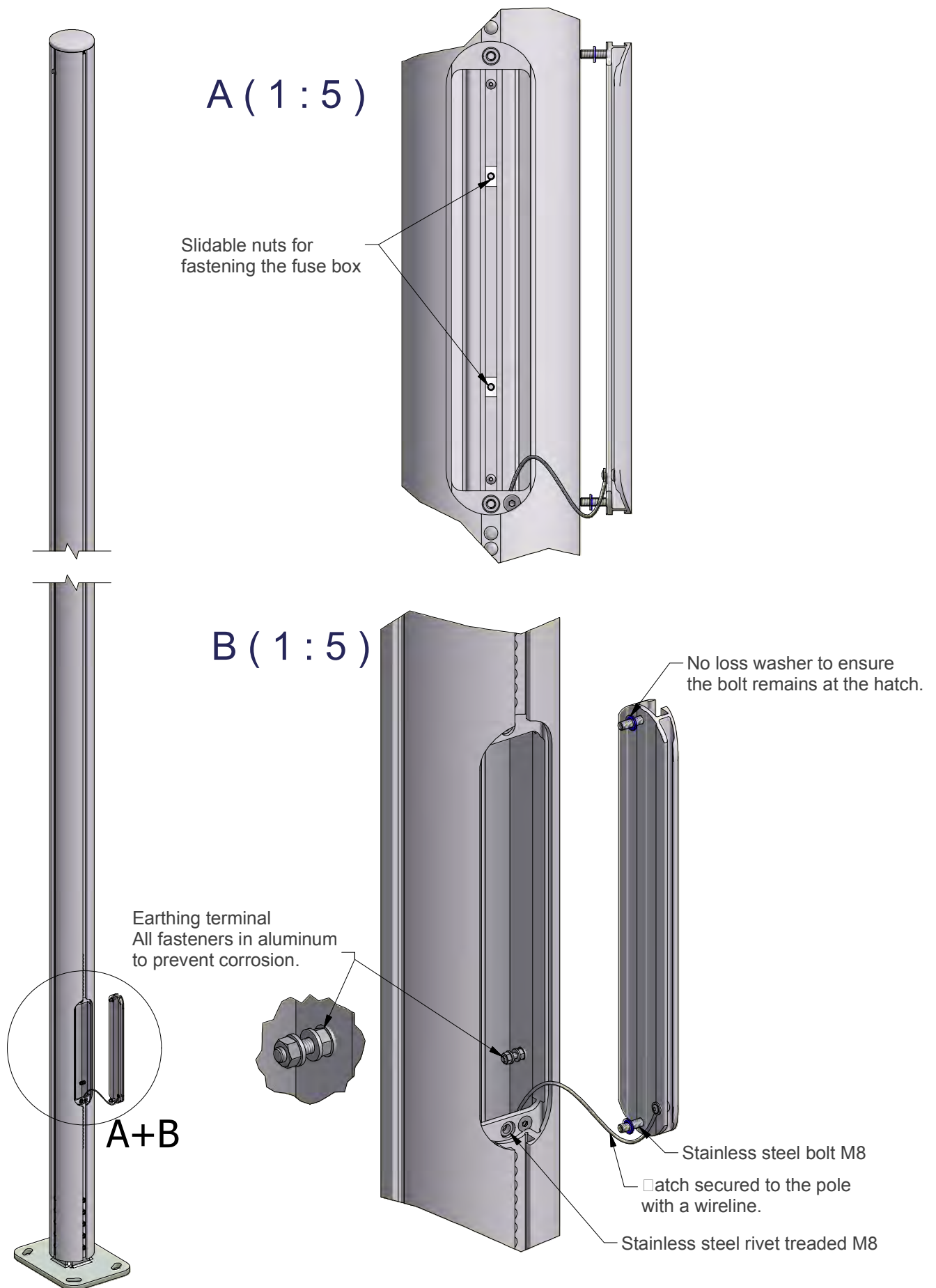
REV	DESCRIPTION	DATE	APPROVED
1	DS/EN 1090-1 NOTE tilføjet	22-09-2016	LS
2	Hulmønster ændret fra aflange til runde huller	02-12-2016	LS
3	Svejsesymbol på afstiver	17-01-2017	LS

<b>MILEWIDE®</b>		Material Dim. & Type: Welded steel S355	Surface Finish: Varmforzinket jf. DS/EN ISO 1461
Date:	29-10-2008	Name:	LS
Basic Tolerances:		Weight:	50 kg
[0 - 6] ± 0,1		Scale:	Drawing Number:
[6 - 30] ± 0,2			
[30 - 120] ± 0,3		Sheet Size:	Drawing Path: N:\acad\MILEWIDE\Mast-170\M170-519-250.idw
[120 - 400] ± 0,5			
[400 - 1000] ± 0,8		Drawing Title:	
[1000 - 2000] ± 1,2		<p style="text-align: center;"><b>Bridge bracket</b></p> <p style="text-align: center;">Hole pattern: 250x250</p>	
[2000 - 4000] ± 2,0			
[4000 - 8000] ± 3,0		M170-519-250	
[8000 - 16000] ± 4,0		Rev.: 3	

A ( 1 : 3 )



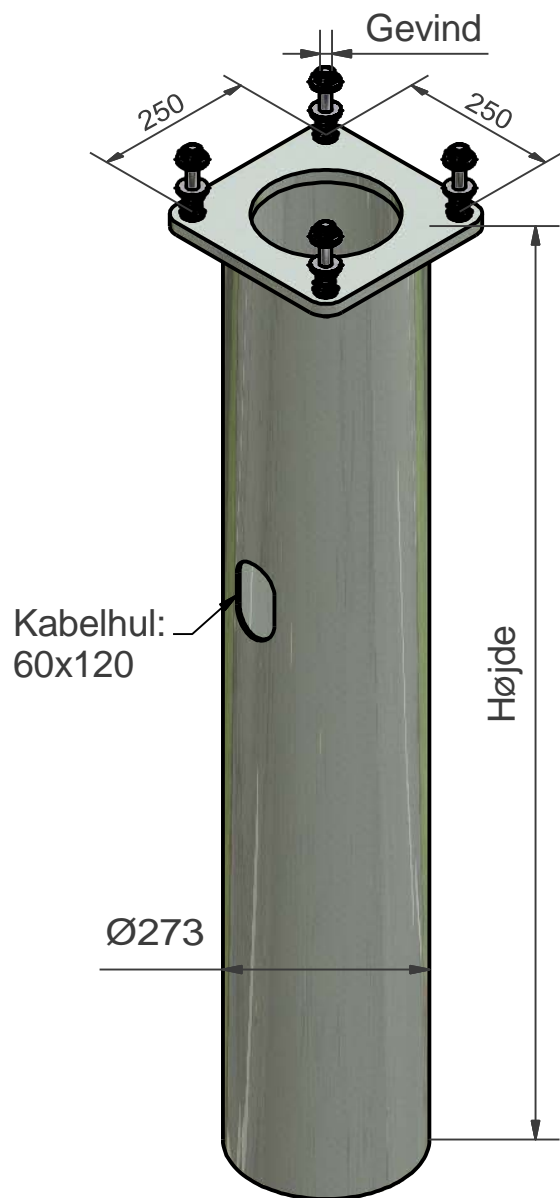
<b>MILEWIDE®</b>		Material Dim. & Type:	Surface Finish:
Date:	Name:	Drawing Title:	
Drawn: 14-10-2011	mwls	<p style="text-align: center;"><b>ø170 Pullert 1m. akryltop</b> <b>XAL Filo 135 LED</b></p>	
Approved:			
Basic Tolerances:		Weight:	Drawing Number:
[0 - 6]	± 0,1	Scale:  Sheet Size: <b>A4</b>	
[6 - 30]	± 0,2		
[30 - 120]	± 0,3		
[120 - 400]	± 0,5		
[400 - 1000]	± 0,8		
[1000 - 2000]	± 1,2		
[2000 - 4000]	± 2,0		
[4000 - 8000]	± 3,0		
[8000 - 16000]	± 4,0	Drawing Path: N:\acad\MILEWIDE\Projects\Svevia\Lyspullert.idw	Rev.:



# Stålrørsfundamenter

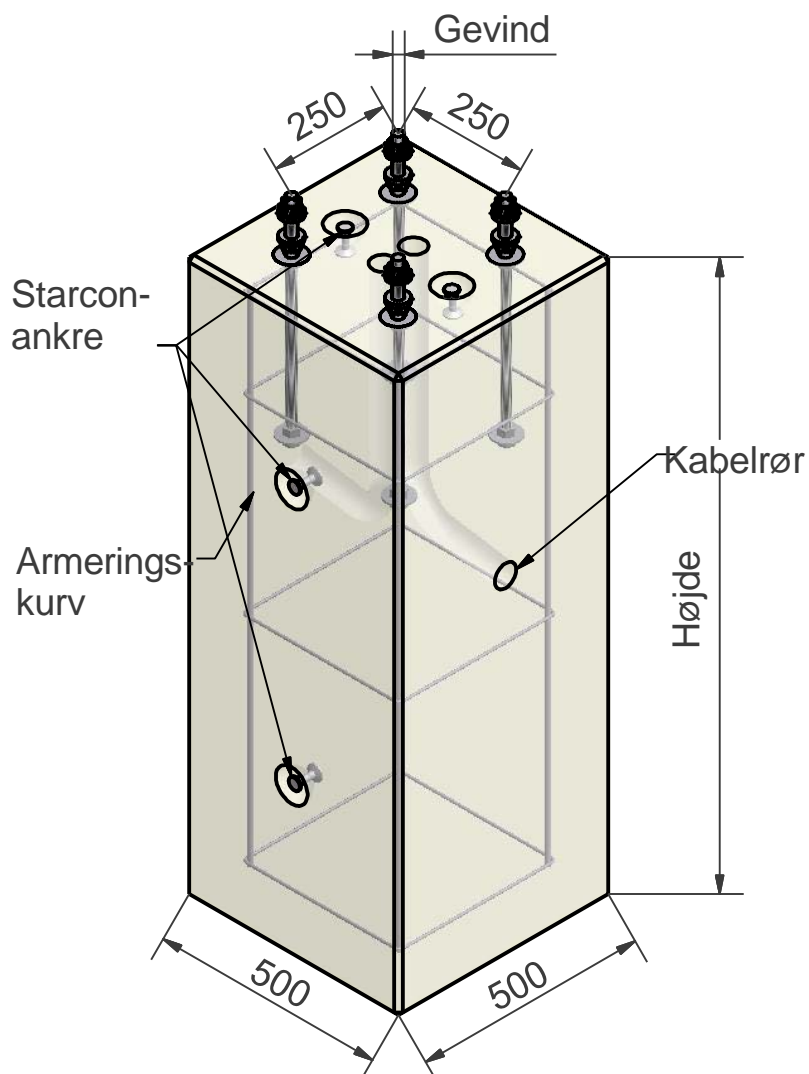


MILEWIDE®



Varenr.	Type	Gevindspecifikation	Fundamentshøjde
170-522	2	M24 - A4-70	1700
170-523	3	M20 - A4-70	1500
170-524	4	M16 - A4-70	1250

# Betonfundamenter

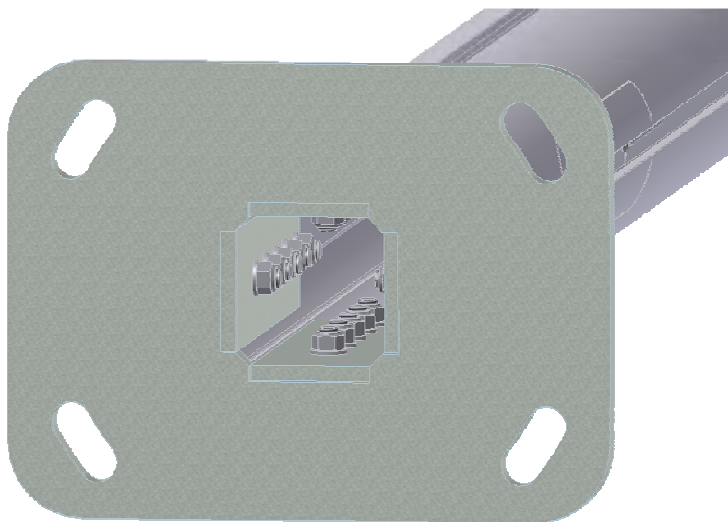
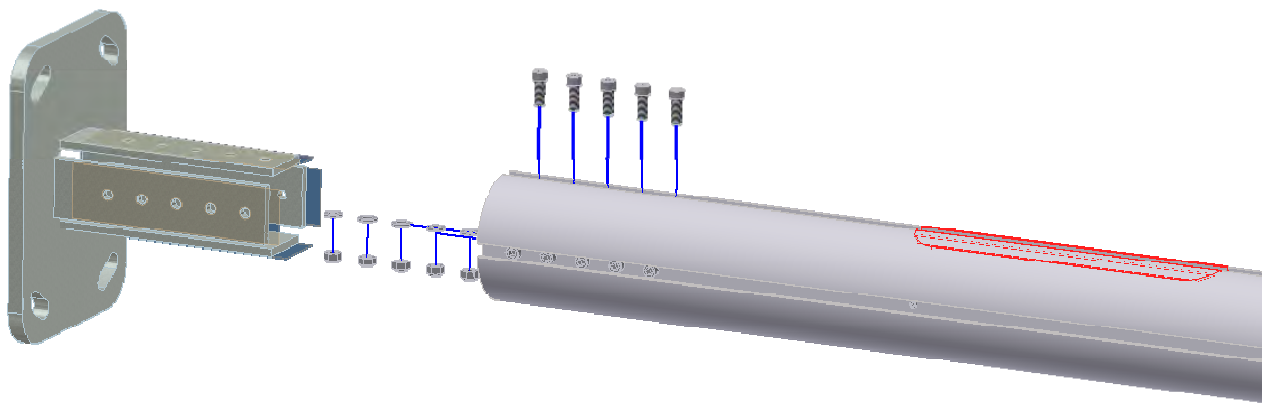


Varenr.	Type	Gevindspecifikation	Højde	Kabelrørdim.
170-512A	2	M24 - A4-70	1500	50
170-512	2	M24 - FZV-8.8	1500	50
170-512A-2x100	2	M24 - A4-70	1500	100
170-512-2x100	2	M24 - FZV-8.8	1500	100
170-513A	3	M20 - A4-70	1300	50
170-513	3	M20 - FZV-8.8	1300	50
170-513A-2x100	3	M20 - A4-70	1300	100
170-513-2x100	3	M20 - FZV-8.8	1300	100
170-514A	4	M16 - A4-70	1100	50
170-514	4	M16 - FZV-8.8	1100	50
170-514A-2x100	4	M16 - A4-70	1100	100
170-514-2x100	4	M16 - FZV-8.8	1100	100

## Assembly instruction Milewide light pole

### *Mounting the baseplate*

1. Place the column on two trestles.
2. Push the baseplate into the column, ensure that the base plate is positioned correctly in relation to the hatchopening.
3. Fit all M12 bolts loose with washer and nut inside
4. Use a 10mm allen-key torque-wrench and a 19mm spanner to tighten the bolts with torque 55 Nm.





### ***Mounting the brackets***

1. Dismount the top cover using a 5 mm Alle key.
2. Slide in the square reinforcement (note the holepattern)
3. Mount both brackets(note the bracket angle)by sliding the threads thru the holes and mount the washer and nut inside.
4. Use a 17mm socket-wrench to tighten the bolts with torque 35 Nm.
5. Pull the cables for the luminaires.
6. Mount the top cover.

